

### What you can find in the package:

1. Two iTheater Bluetooth Speakers



2. AC Power Cable



3. 1/8" Audio Cable



4. 16AWG Speaker Wire (9.75 ft)



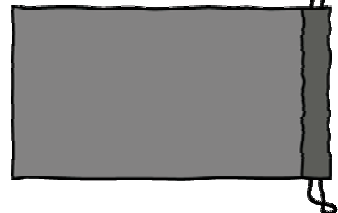
5. Remote Control



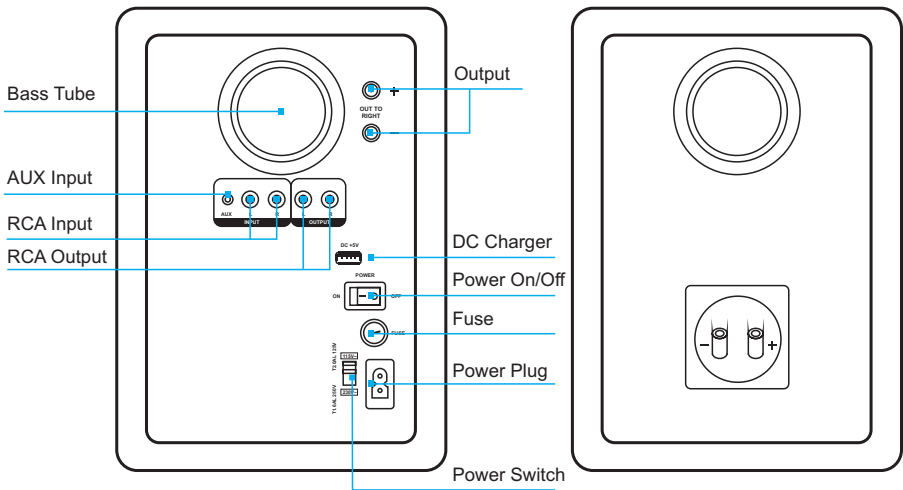
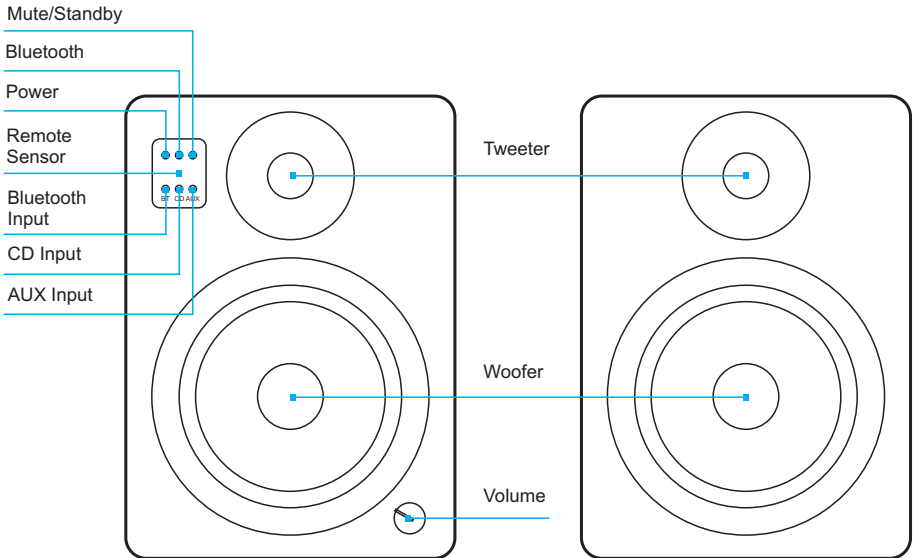
6. Drawstring Accessories Bag

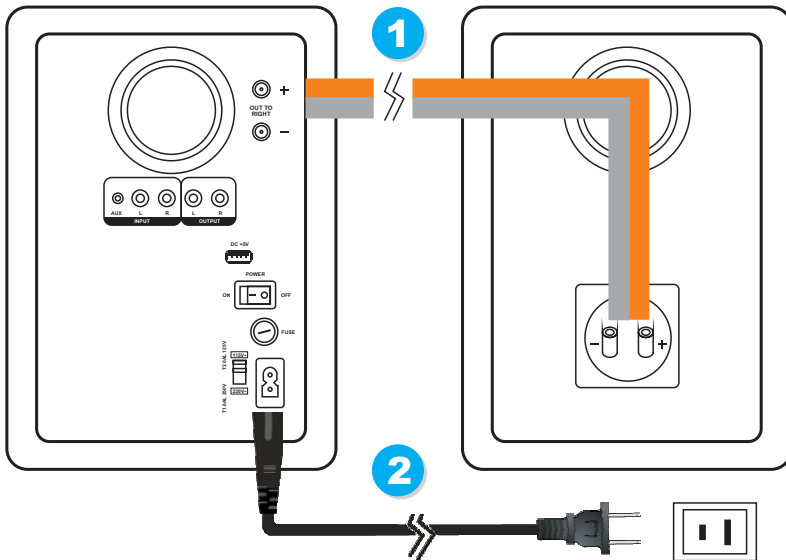


7. Two Drawstring Speaker Bags



8. iTheater™ User Guide





## 1 Speaker-Wire Connection

Connect the RED (+) and BLACK (-) terminals of the left speaker to the corresponding terminals of the speaker on right using the speaker wire supplied. Be sure the gold color speaker wire line should go between the RED (+) terminals of both speakers while the silver color speaker wire line connects the BLACK (-) terminals.

**NOTE:** As the iTheater™ speaker system is self powered, do not connect the speaker terminals to the speaker outputs of a stereo receiver.

### Step by Step:

- > Remove the pre-cut insulation on the end of the speaker wire and twist the exposed wire strands 2-3 times.
- > Loosen the binding post connector with your thumb and fingers.
- > Insert each speaker wire into the holes on the side of the binding post connector.
- > Tighten the binding posts. The stripped portion should be secured firmly in the connector.
- > Repeat the above steps to connect the other speaker. Be sure to match the wire line color to the same terminal color on each speaker. Also make sure that none of the speaker wire strands come in contact with adjacent terminal.

## 2 Power Cable Connection

- > Please make sure that the power switch on the rear panel is in the OFF position.
- > Connect power cord to mains as shown.

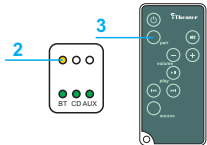
## 3 Audio Configurations

The following configurations describe the most common audio setups for the iTheater™ BlueWave 01 Bluetooth Speaker.

### Configuration A (all devices with Bluetooth transmitter)

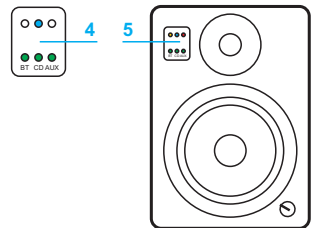
1. To use the Bluetooth on your iTheater™ speakers, you must establish a wireless connection to an audio device. You may pair the iTheater™ speakers to another audio device according to the following steps.

2. Turn on your iTheater™ speakers and you will notice a yellow LED light. This means the Bluetooth is ready on you iTheater™ speakers.



3. Press the “pair” button on your remote control and you will see a blue LED flash rapidly. This indicates that the Bluetooth is now in pairing mode for the next 50 seconds and is ready to pair up with another Bluetooth enabled audio device. A beep sound will generate from the speaker to show pairing is successful. The separate Bluetooth-enabled audio device should be turned on and in its own separate pairing mode in order for it to pair up with the iTheater™ speakers. On a notebook computer, you may need to enter the passkey, which is: 0-0-0-0 to pair up with the iTheater™ speakers. Please reference item 6 for this procedure if you use iTheater BlueTooth USB dongle bundled in the package for pairing and connecting.

4. When the iTheater™ speakers are paired up, you will notice a blue led flashing fast. This indicates that the two devices are paired successfully. And the iTheater™ speakers are now looking for this paired device. Once the blue led stops flashing and lights on steady, you may start playing your music and listening wirelessly with the iTheater™ speakers.

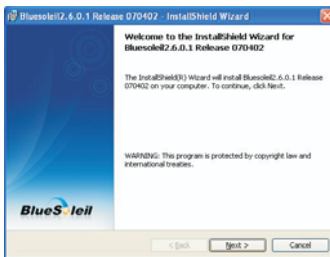
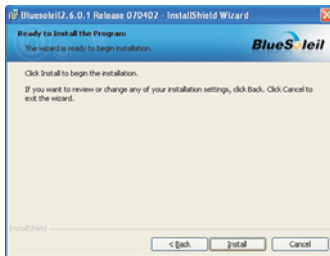


5. When the iTheater™ speakers are turned off or if the connection is lost, please restart from step 2 again.

6. To use iTheater BlueTooth USB dongle.

## Bluesoliel Utility Installation

- i. Insert the BlueSoliel CD into the CD-ROM drive of your computer. The software will run automatically. If it doesn't, please find the **setup.exe** in the CD and double-click it to install the utility.
- ii. Follow the instruction, to accept the license agreement, to have a short cut ..., and click next.



- iii. Follow the steps to finish the installation.

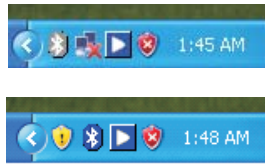


#### Start Application

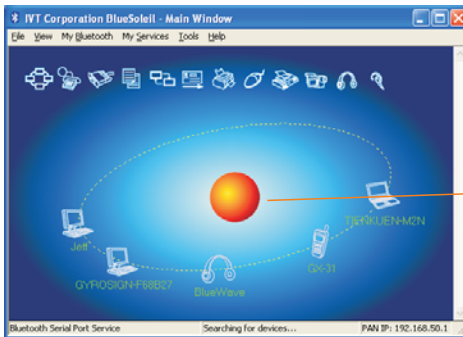
iv. Start Application by click the “BlueSoleil” icon.



v. Plug the USB dongle into a free USB port on your computer. Wait for the Bluetooth icon on tool bar changing from gray to blue.

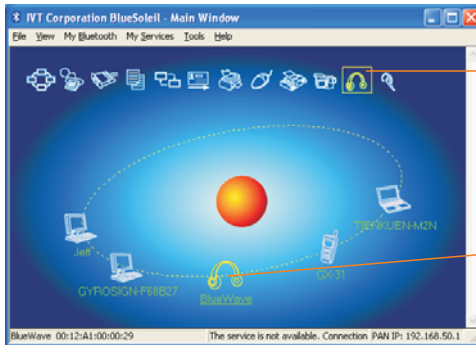


vi. Find Bluetooth devices around you.



Click this sphere to start/stop discover Bluetooth devices

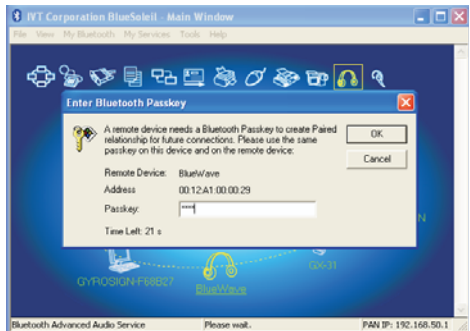
vi. Find Bluetooth device's functions.



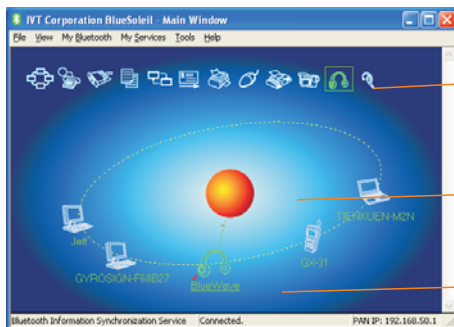
2. Will show the device here in yellow color.

1. Double click BlueWave device which you want to use.

viii. DoubleClick the device's function on the upper right corner which you want to use. Then IVT will show out a window to ask you fill up the PIN key. Please Key in the correct PIN key 0000.



iv. After input correct PIN key, the Bluetooth connection will be built, and you can use the BlueWave speaker now. You can see also a check symbol displayed by the BlueWave icon and a dotted line connecting with the central sphere.



The icon will be connected to be green color.

The dotted line shows that BlueWave is connected will be connected to be green color.

A check symbol displayed by the BlueWave icon connected will change to green color.

### Configuration B (all products with 1/8" audio cable output)

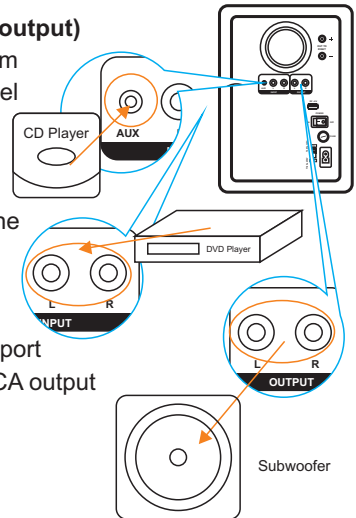
Connect the 1/8 inch audio cable from the OUTPUT from your audio device to the AUDIO IN jack on the rear panel of the iTheater™ primary speaker.

### Configuration C (all products with RCA output)

Connect the RCA audio cable from the RCA output to the RCA input on the rear panel.

### Configuration D (subwoofer with RCA output)

For more bass, the iTheater™ speaker system can support a subwoofer. Connect the RCA audio cable from the RCA output on the rear panel to the RCA input on the subwoofer.



## Troubleshooting

### If the front panel LED does not light up, check...

- that the AC power cord is firmly plugged into the rear panel and wall socket.
- if the power switch on the speaker rear panel is ON.
- that the speaker is getting power from the wall socket.
- the fuse in the AC IN on the rear panel. If the fuse needs to be replaced, it is important to replace with the same fuse type.

### If there is no sound, check...

- that the speaker is turned on (blue LED illuminated).
- to make sure the primary speaker is properly connected to the secondary speaker.
- that the volume on the speaker front panel is not on low.
- the volume level on the iPod or other audio source.
- to make sure the iPod audio cable is inserted all the way at both ends.
- to make sure that the iPod is seated correctly on the dock.

### If bass output is low, check...

- the speaker wire polarity (verify that the wires are going to the same color terminals on both speakers).
- that the speaker rear panels are not blocked.

### If there is no output from the primary speaker, check...

- that the speaker wire is properly connected from the left to the right speakers. Check by removing the speaker wire from both terminals and then reconnecting each speaker.

### If the Bluetooth is not working on the iTheater™ Speakers, check...

- that the speaker is not turned off.
- that the speakers and audio device are in a range of within 2 feet.
- to make sure the speaker is paired properly with your audio device through the included Bluetooth instructions.